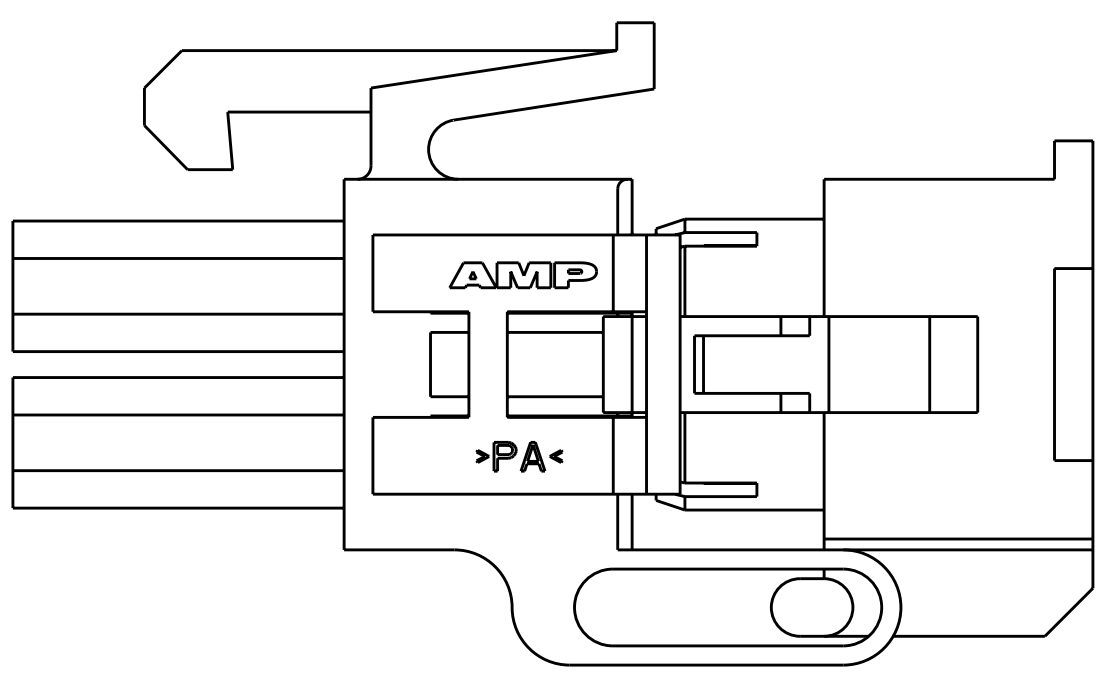
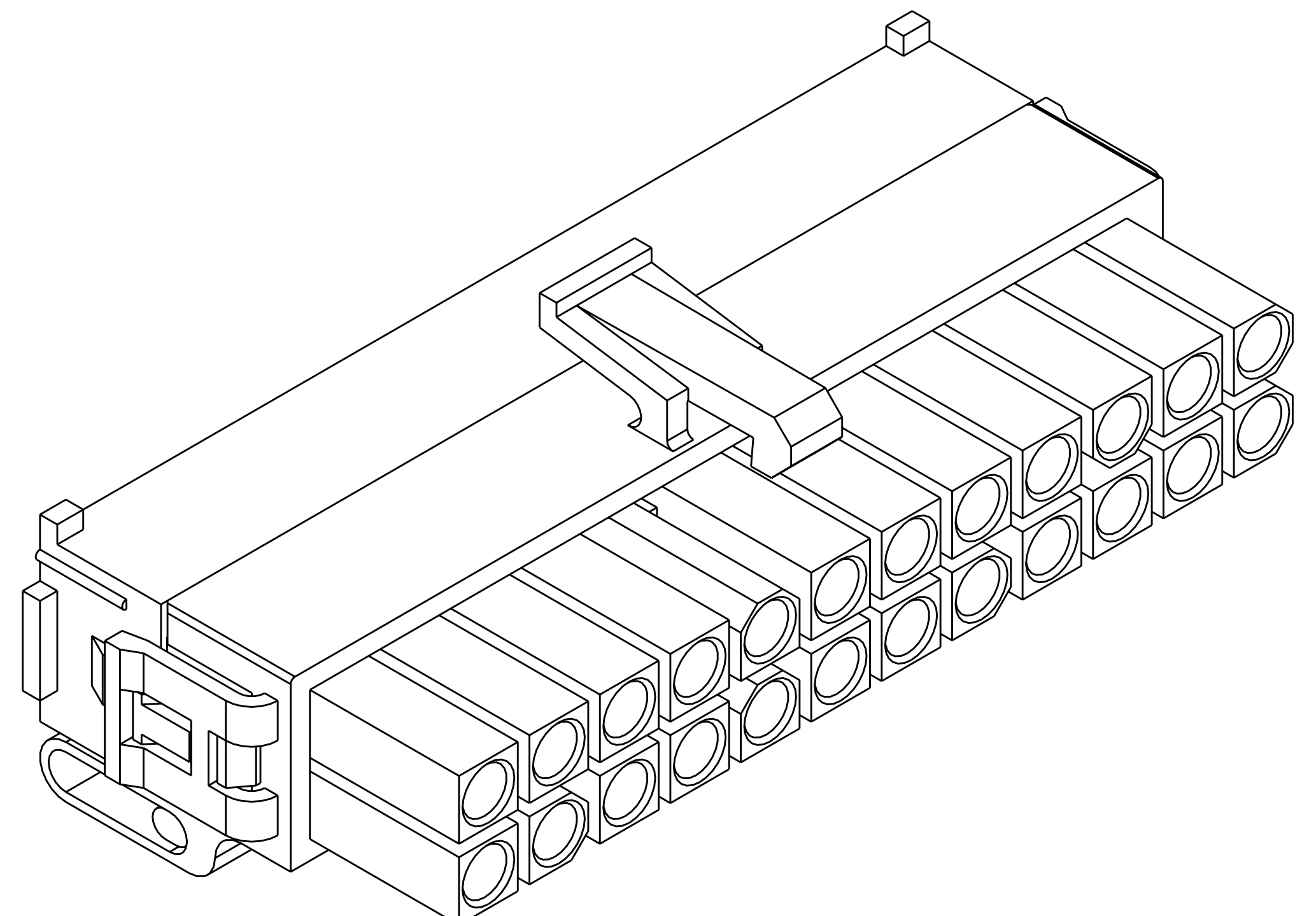
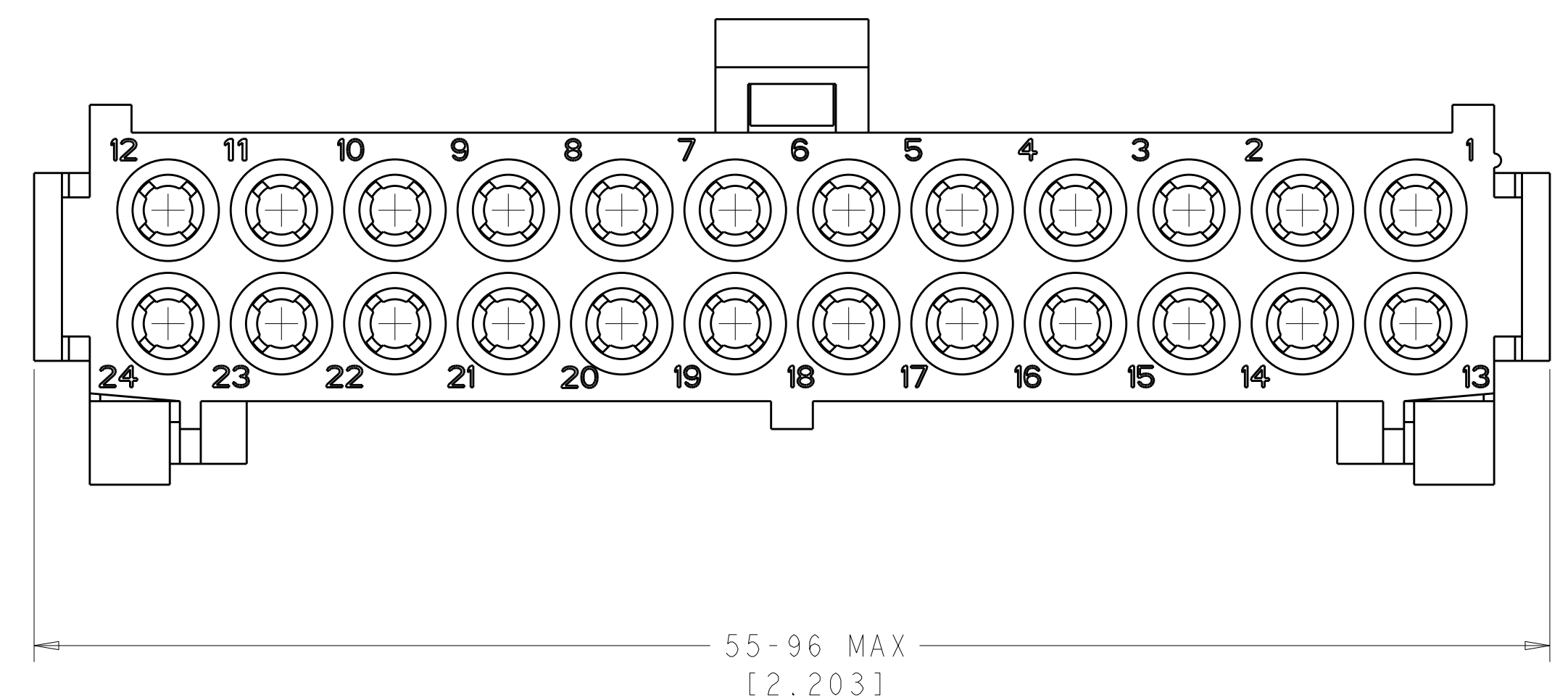
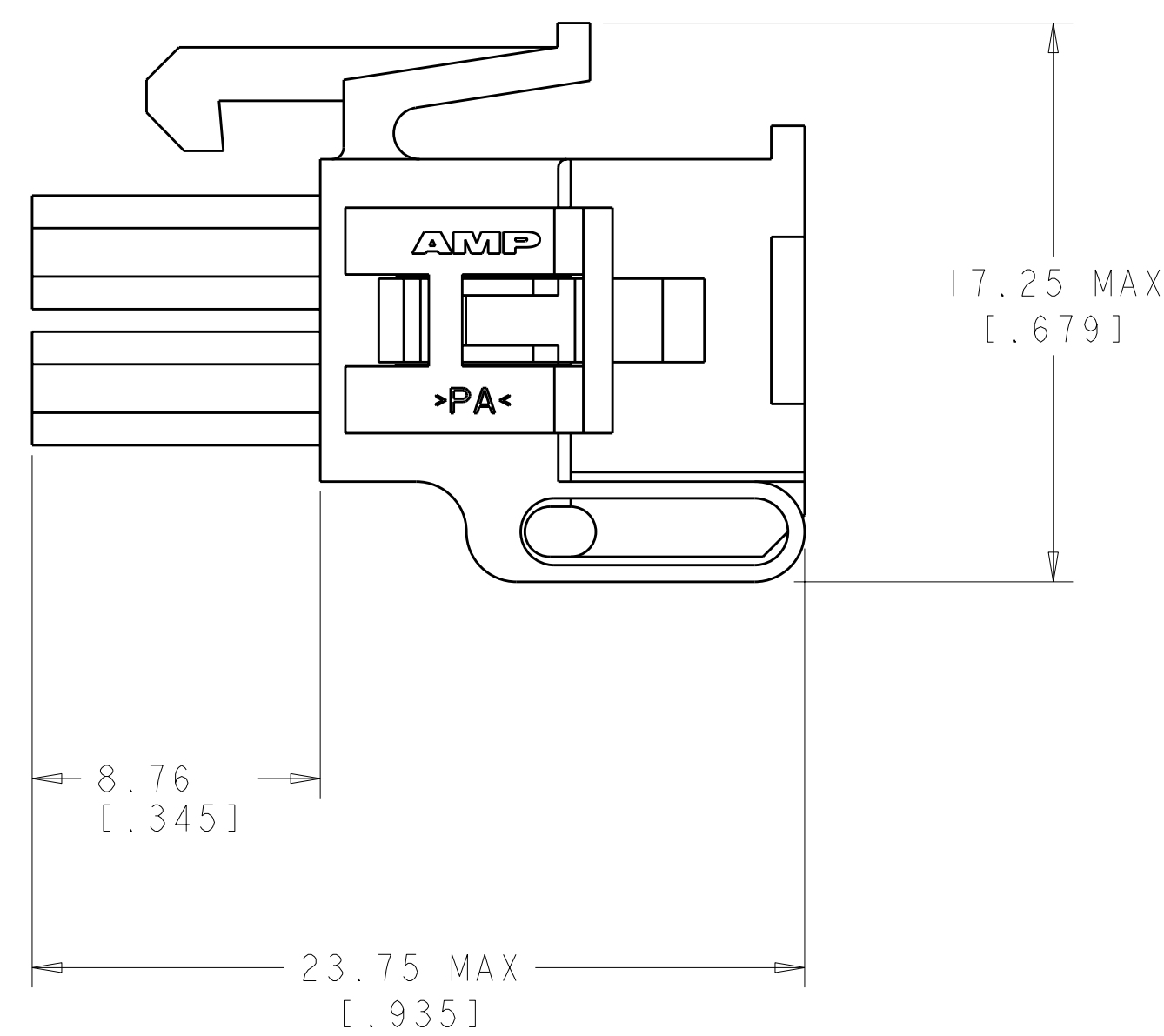
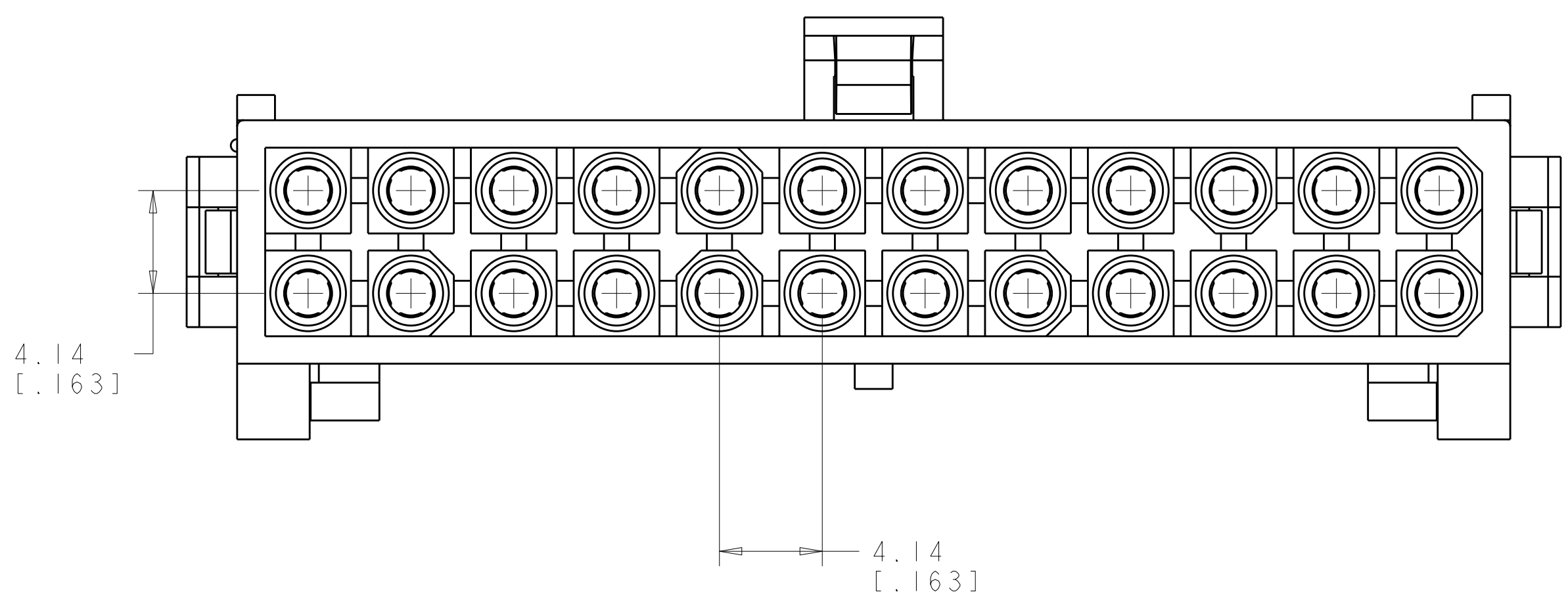


LOC	DIST	REV	DATE	DWN	APVD
CM	00	B1	ECO-07-016419	01AUG2007	KW CJ



PRE-STAGED CONDITION



0.385 IN ³	794214-1
VOLUME	PART NUMBER

DIMENSIONS: mm [INCHES] TOLERANCES UNLESS OTHERWISE SPECIFIED: 0 PLC ± 1 PLC ± 2 PLC ±0.13 (1.005) 3 PLC ± 4 PLC ± ANGLES ±40°30'		DWN: R. WHITAKER 01AUG2007 CHK: C. JONES 01AUG2007 APVD: C. JONES 01AUG2007 PRODUCT SPEC APPLICATION SPEC WEIGHT CUSTOMER DRAWING		Tyco Electronics Harrisburg, PA 17105-3608 NAME: PLUG, DUAL ROW, 24 CIRCUIT, MINI UNIVERSAL MATE-N-LOK(TM) 2 SIZE: CAGE CODE DRAWING NO: A100779C-794214 RESTRICTED TO:	
MATERIAL: NYLON UL 94V-0, NATURAL FINISH:		SCALE: 5:1 SHEET: 1 OF 1 REV: B1		Tyco Electronics logo	

